



Grass America Inc.
 1202 Highway 66 South
 Kernersville, NC 27284
 Phone 1-800-334-3512
 Fax 1-800-525-8406
 Internet: www.grassusa.com



300 East penn Avenue
 P.O. Box 1
 Robesonia, PA 19551
 610-593-3101
 Internet: www.adelphikitchens.com

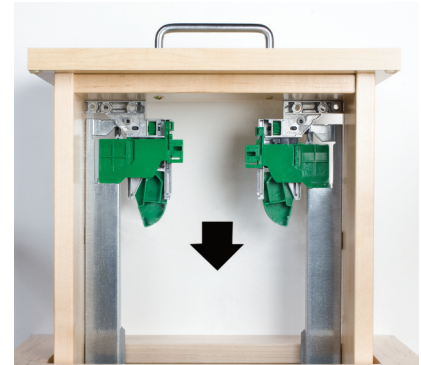
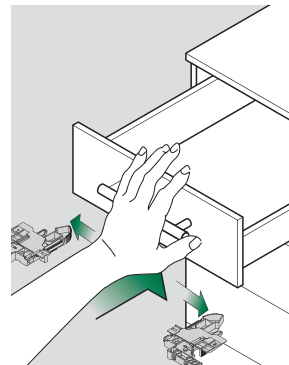
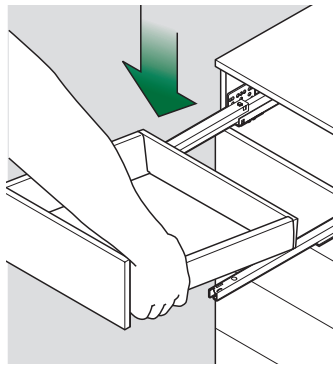
DYNAPRO

Drawer Installation and Front Locking Device Instructions

Inserting the drawer

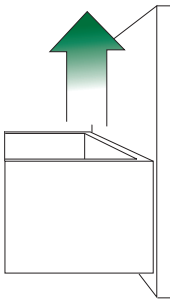
Place drawer on extended Dynapro slide and push in until it engages audibly

Notice: If drawer does not fully engage, do not force in. Use side adjustment to correct alignment.



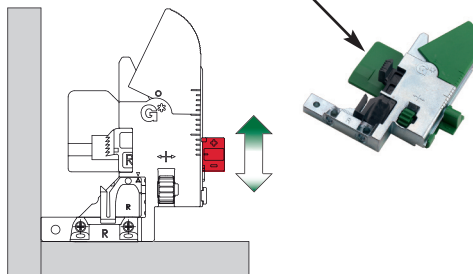
Height adjustment (max. +3.5 mm)

Dynapro



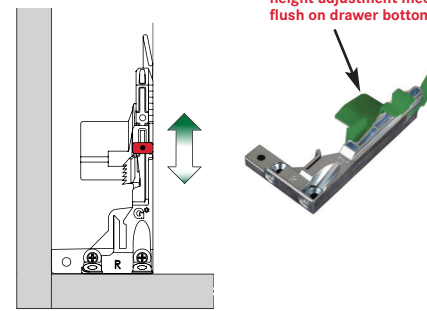
Front locking device

Make sure front locking device height adjustment mechanism is flush on drawer bottom.



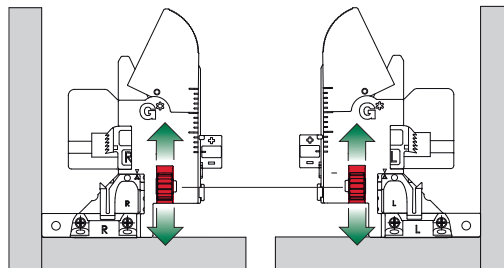
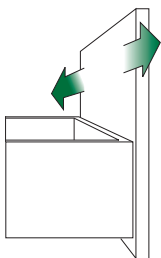
Narrow front locking device

Make sure front locking device height adjustment mechanism is flush on drawer bottom.



Side adjustment (max. ±1.5 mm)

Dynapro



- 1 Adjust both wheels in the same direction until desired side adjustment is reached.

Drawer Removal

Dynapro

Standing in front of drawer, grasp drawer on each side squeezing the levers and pulling out and up on drawer.

Please visit http://www.grassusa.com/sensotronic_download.html for further illustration of Dynapro 3D adjustment features.

